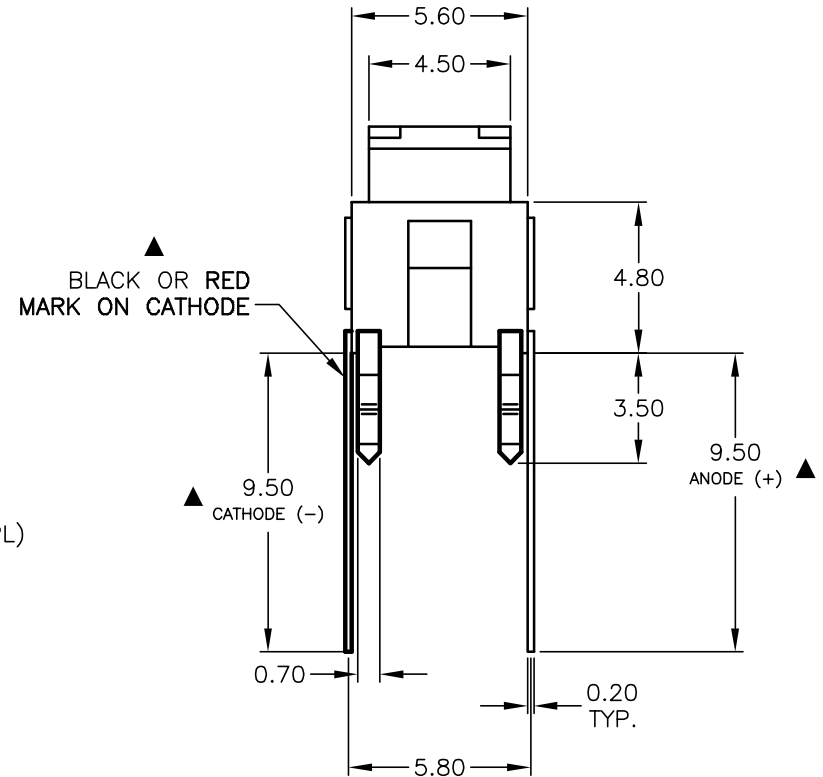
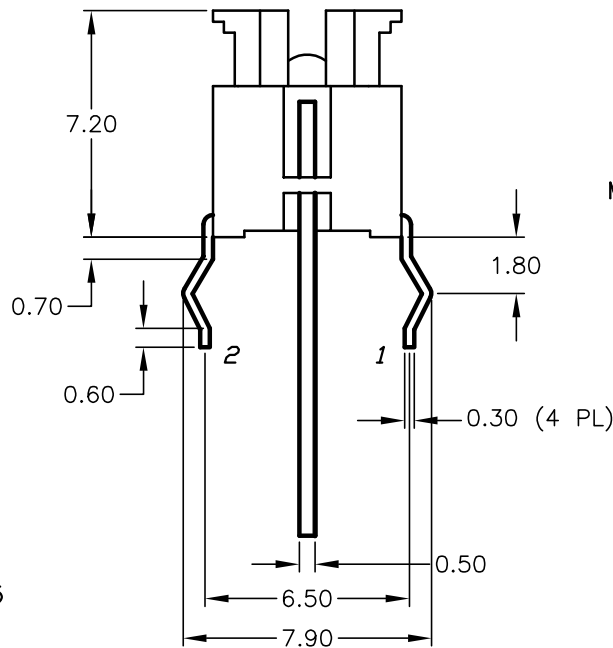
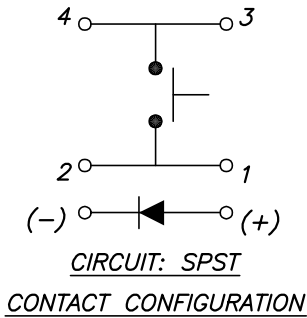


RECOMMENDED P.C.B. LAYOUT

▲ Z000005 LED TO BE CENTERED IN 3.0 MM WITHIN ±.25MM



NOTES:

1. ALL DIMENSIONS IN MM
2. GENERAL TOLERANCE: X.X=±0.4
X.XX=±0.25
3. RATING: 50mA, 12VDC
4. TRAVEL: 0.25 +0.2/0.1mm
5. OPERATING FORCE: 160±50gf
6. CONTACT RESISTANCE: 100mILLI-Ohms Max
7. ▲ DENOTES CRITICAL PARAMETER.

E-SWITCH®

TITLE					TL1240GRNSBKB							
SCALE	4:1		DATE	7/1/04		DR	AR		DWG	P001086	REV	A

A	14118	RELEASED FOR PRODUCTION	7/1/04	AR
REV.	ECN No.	DESCRIPTION	DATE	CHKD
THE INFORMATION CONTAINED IN THIS DOCUMENT IS PROPRIETARY TO E-SWITCH AND IS NOT TO BE COPIED OR TRANSFERRED				